

### 30 Minute MagnaBoard Fire Rated Ceiling : on Steel T-Grid system

SYSTEM: 12mm MagnaBoard Ceiling with Steel T-Grid system

TESTED BY: NES Consult & Associates: Fire Test Dept.

REQUESTED BY: Magnastruct - S Galant

VENDOR: Magnastruct

CONTRACT NO: FLT1090-1revC

AUTHOR: E. Ntsa

TEST DATE: 2019-07-13

REPORT DATE: 2019-07-14

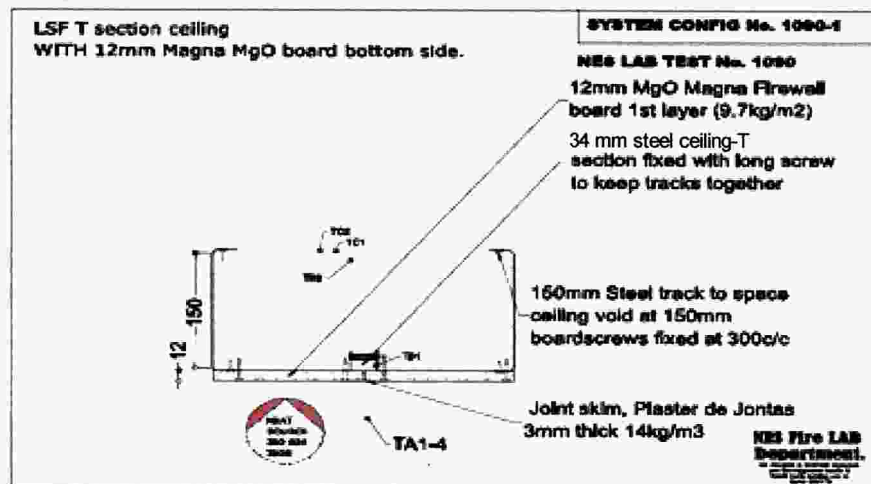
Sample Description: 12mm MagnaBoard ceiling on Steel T-Grid System

Thickness: 168mm

Drawings No.: FLT1090-1revC

#### Sample parameters

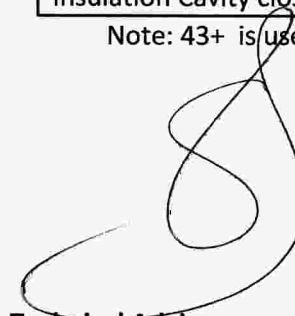
12mm MagnaBoard cut to 595x595mm square



#### Test Results:

Test Results:	Time of Failure	1090-1revC
Stability	43+	
Integrity	30	
Insulation External face	30+	
Insulation Cavity closure ave. temp.	30	

Note: 43+ is used where no failure occurred.



Technical Advisor

